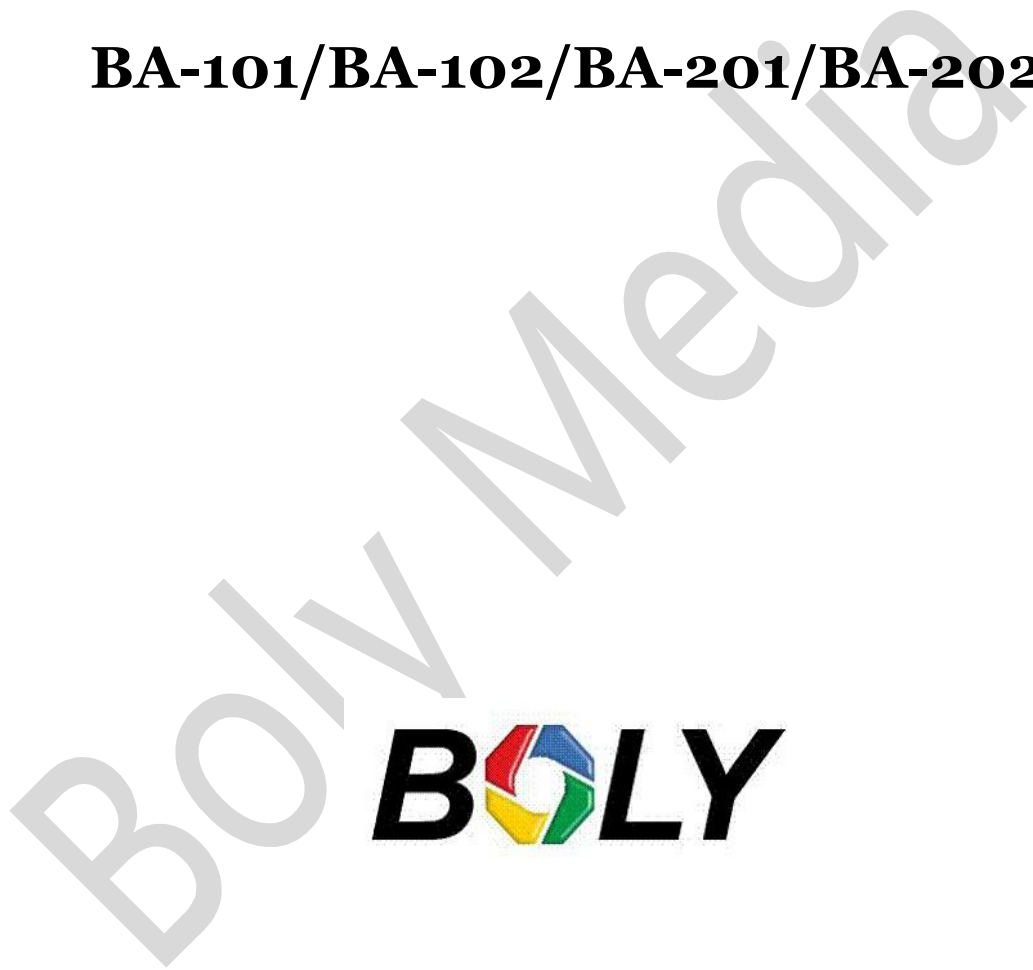


User Manual

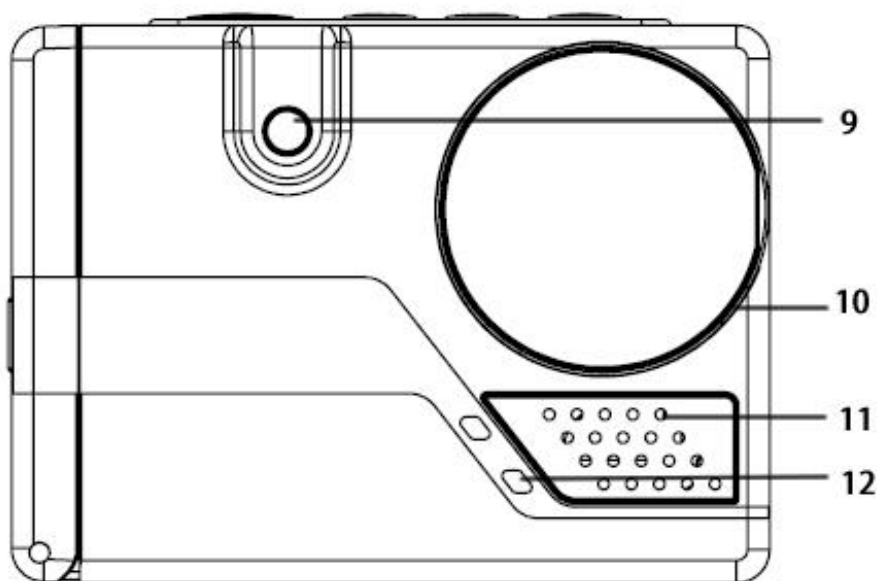
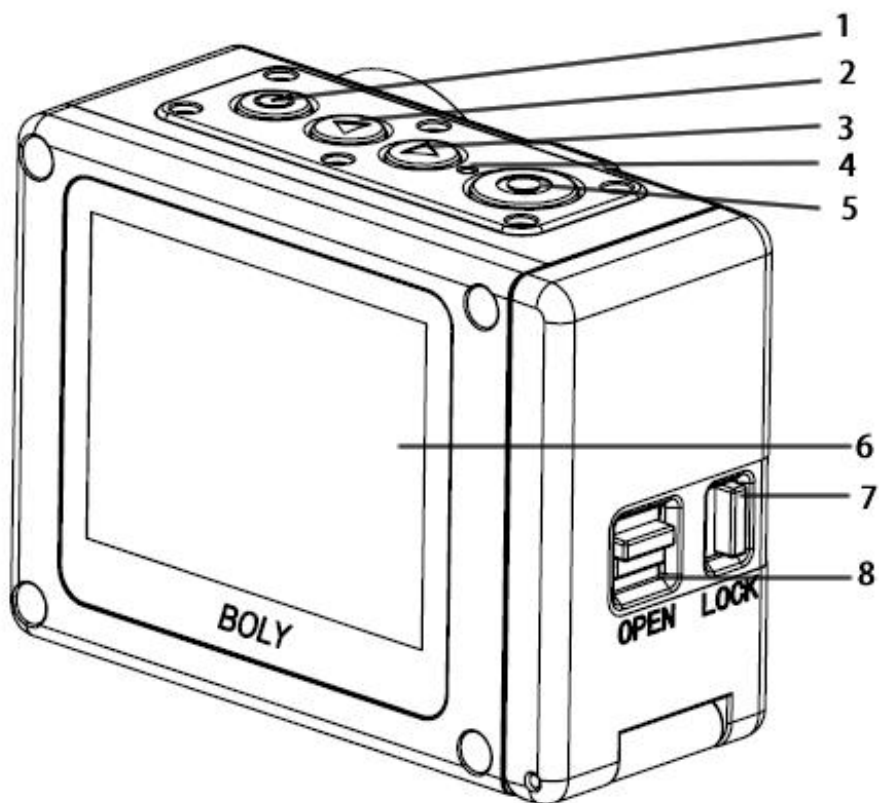
BA-101/BA-102/BA-201/BA-202

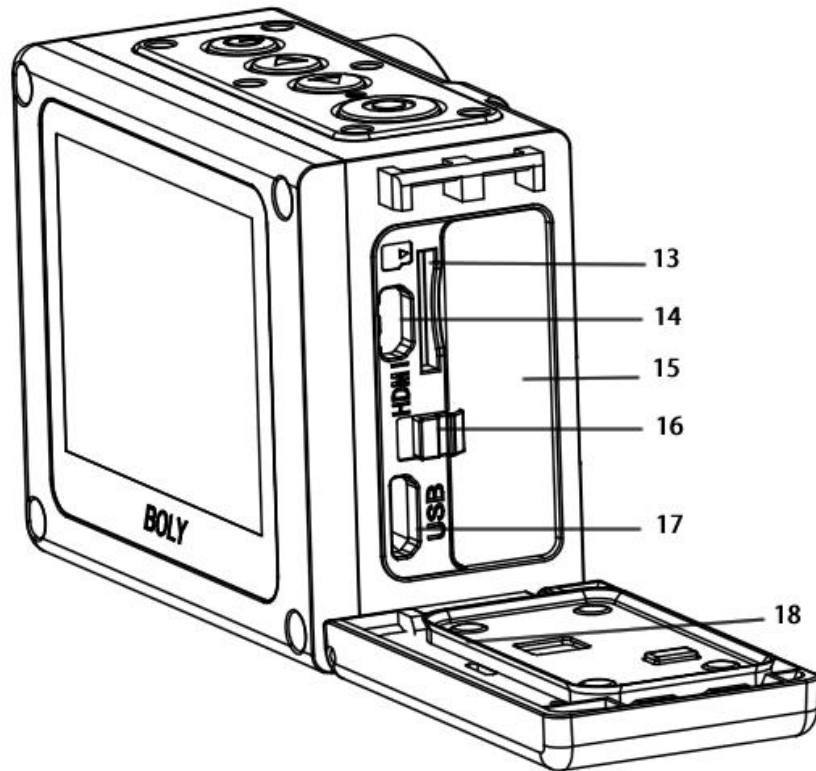


Contents

Appearance.....	1
Getting Started.....	3
Charging the Battery.....	3
Inserting or Removing MicroSD Card.....	3
Software Update.....	4
Power On and Off.....	4
Setup.....	5
Camera Mode.....	5
LCD Display Screen.....	5
Setting Items.....	6
Connections.....	11
Using a Card Reader.....	11
Using a USB Cable.....	11
Using a HDMI Cable.....	11
WIFI Connecting.....	13
Mounting Accessories.....	15
Specifications.....	17

Appearance





- | | |
|--------------------------|-----------------------|
| 1. Power/Menu | 10. Lens |
| 2. Up/Voice switch | 11. Speaker |
| 3. Down/WIFI switch/Mode | 12. Microphone |
| 4. Charging indicator | 13. MicroSD card slot |
| 5. Shutter/OK | 14. Micro HDMI port |
| 6. LCD Display | 15. Li-on battery |
| 7. Battery cover lock | 16. Battery buckle |
| 8. Battery cover switch | 17. Mini USB port |
| 9. Flash | 18. Rubber gasket |

All images and illustrations given in this manual are for explanation purpose and may differ slightly from the actual product.

Features: Different from the BA-101/BA-102, BA-201 and BA-202 is known as the auto focus function. You can choose the video resolution as 4K/2K(only for BA-102 /BA-202 optional).

Getting Started

Charging the Battery

Unlock and open the battery door, charge the battery by connecting the camera to a computer or other USB charging adapter using the included USB cable. The charging indicator turns on during charging and turns off when charging is completed.

NOTICE: Only use chargers marked: output 5V 1A. If you do not know the voltage and current of your charger, use the included USB cable to charge the camera from your computer.

The included lithium-ion battery comes partially charged. No damage occurs to the camera or battery if used prior to a full charge.

Inserting or Removing MicroSD Card

Slide the memory card into the card slot according to the correct icon before powering on the camera. The camera itself has no storage space, it will not work well if no microSD card is inserted.

When you want to remove the microSD card, place your fingernails against the edge of the memory card and lightly press it further into the slot. It will spring out far enough to be removed.

NOTE: the camera is compatible with 4GB to 32GB capacity microSD, microSDHC and microSDXC

memory cards(not included). Boly recommends using brand name memory cards for maximum reliability in high-vibration activities. Avoid liquids, dust and debris comes to the microSD card during use. Power off the camera before inserting or removing the card.

Software Update

To get the latest features and best performance from the camera, make sure you are using the most current camera software.

The camera supports updating software through the microSD card. Note frequent updating software may cause damage to the camera.

Power On and Off

To Power On:

Long press the **Power/Menu** button[Ⓢ], the LCD display will light with a short “BolyAcam” animation. The information will be displayed on the screen when camera is on.

To Power Off:

Long press the **Power/Menu** button[Ⓢ], the LCD display will dim with a short “BolyAcam” animation.

Setup

Camera Mode

The camera supports three modes: Photo Mode, Video Mode and Playback Mode. In preview status, short press **Down/WIFI switch/Mode** button [⏪] repeatedly to change modes after turning on the camera. There are different item settings for each mode.

Video Mode: Press the **Shutter/OK** button [⊙] to capture a video clip according to custom settings, the same button to stop. Video Mode is the default mode.

Photo Mode: Press the **Shutter/OK** button [⊙] to capture still photos according to custom settings.

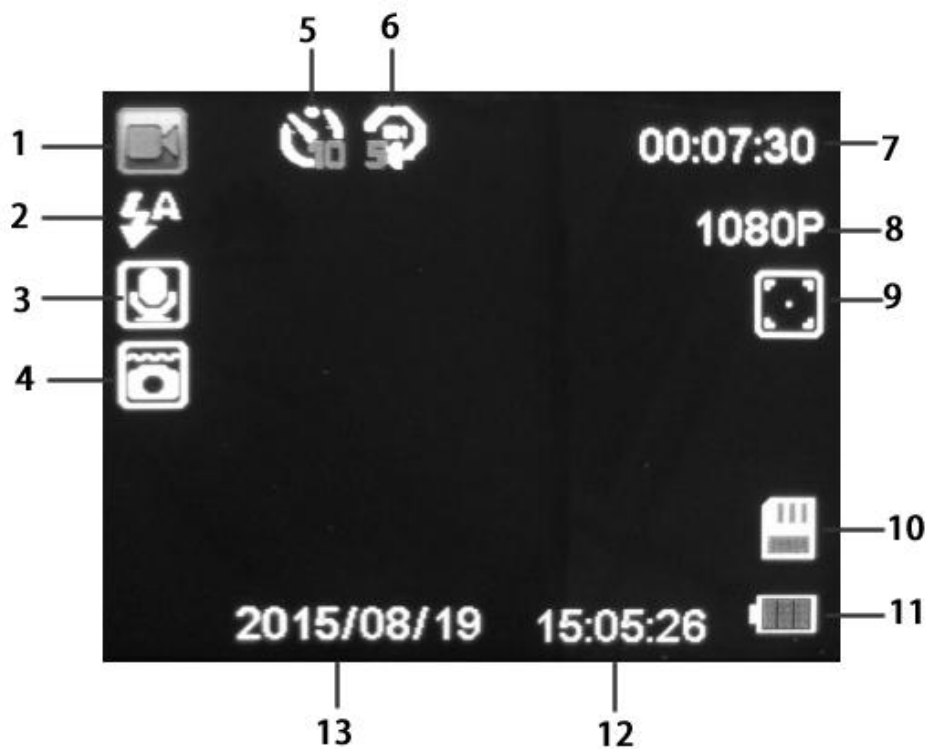
Playback Mode: Press **Down/WIFI switch/Mode** button [⏪] repeatedly to enter playback mode to see a video or photo which has been taken. The **Shutter/OK** button [⊙] also helps to playback a video clip, the **Up/Voice switch** button [⏩] shows you the prior one.

Also in playback mode, press the **Power/Menu** button [⊙] to delete or protect photo or video clip. Once a photo or video clip is protected, it cannot be deleted. An icon of key shows when a picture or video clip is protected.

LCD Display Screen

There is a 2" LCD display screen on the camera which makes it easy to set up and view the

parameters for the various camera modes. Take a few minutes to familiarize yourself with the displays. It is helpful to bookmark this section and refer to it when reading through the rest of the manual.



- | | |
|--------------------|------------------|
| 1. Mode | 8. Resolution |
| 2. Flash | 9. Focus icon |
| 3. Voice control | 10. MicroSD card |
| 4. Underwater | 11. Battery icon |
| 5. Capture mode | 12. Time |
| 6. Loop/Sequence | 13. Date |
| 7. Remaining space | |







Setting Items

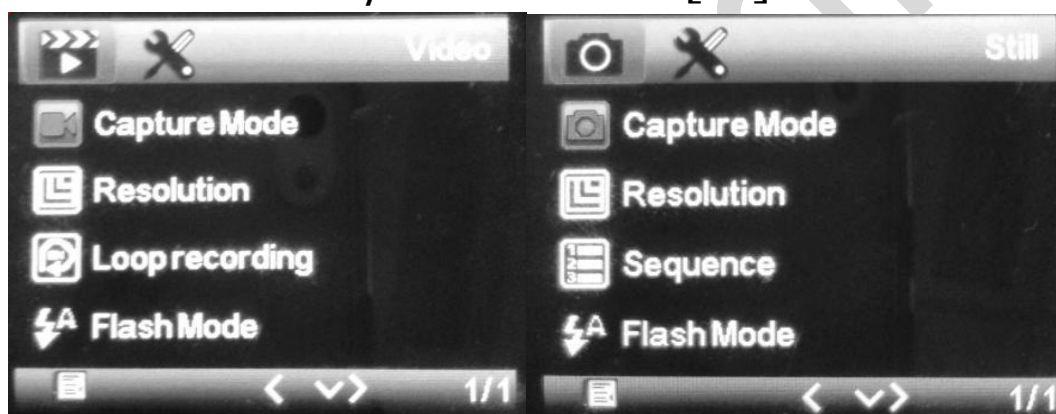
After you are familiar with the basic operations of the camera, you are now ready for advanced operations. The options and parameters of the camera are explained in more detail.

Setting Items contain two kinds of parameters:

mode parameters and system parameters.

Setting Mode Parameters:

- Short press **Power/Menu** button [] to enter settings menu in preview status;
- Press **Up/Voice switch** button [] or **Down/WIFI switch/Mode** button [] to select menu list;
- Press **Shutter/OK** button [] to expand all of the available options, select the right option you need, then the **Shutter/OK** button [] to save;
- Press **Power/Menu** button [] to exit.



Video Mode

Photo Mode



Mode	Menu	Options	Description
Video Mode	Capture Mode	Single 2S Timer 5S Timer 10S Timer	This parameter defines the delay time before a video clip begins to record. The delay begins once you press the shutter button. The Single option is for no delay on a video recording.
	Resolution	1080FHD 720P 360P	It means video resolution, select the video resolution you need. Higher resolution takes up more memory space.
		Off	This parameter defines the length of

	Loop Recording	3 Minutes 5 Minutes 10 Minutes	each video clip during the recording. Off means there is no interruption during video recording.
	Flash Mode	Auto Off On	There is a White LED on the front of the camera as fill light. If Flash is set to on, the LED will brighten when the camera starts to take video. If Flash is set to Auto, the LED will brighten when there isn't enough natural lighting for the video.
Photo Mode	Capture Mode	Single 2S Timer 5S Timer 10S Timer	This parameter defines the delay time before a photo is taken. The delay begins once you press the Shutter button. The Single option means no delay time on a photo being taken.
	Resolution	30M 20M 14M 8M	It means photo resolution, select the photo resolution you need. Higher resolution takes up more memory space.
	Sequence	1 Sequence 3 Sequence 5 Sequence 10 Sequence	It means the shooting number of each capturing.
	Flash Mode	Auto Off On	There is a White LED on the front of the camera as fill light. If Flash is set to on, the LED will brighten when the camera starts to take photo. If Flash is set to Auto, the LED will brighten when there isn't enough natural lighting for the photo.

System Items	Options	Description
WIFI	Off On	There is a WIFI module built in the camera which makes it much easier to transfer files between the camera and

		smart phone or tablet PC.
Date/Time	Y/M/D H/M/S	You can change the date and time when necessary, e.g., after turn on the camera. The date format can be changed to Month/Day/Year Day/Month/Year or Year/Month/Day
Voice Study	Take Photo Take Movie Stop Movie Voice Test	There is an acoustic sensor built in the camera. Voice control is available on this camera, but it need to record your voice as a command at first. For example, select “Take Photo”, speak “Take Photo” or other words when “Please speak” is showing on the screen, then speak again according to the screen reminder. There will be a ★ before “Take Photo” if it succeeds. You can do a voice test by selecting “Voice Test”.
Voice Control	Off On	Turn on or turn off the voice control. Shortcut key: long press the Up/Voice switch button [⏪] to turn on or turn off in preview status.
Auto Power Off	Off 3 Minutes 5 Minutes 10 Minutes	This parameter defines the amount of time the camera will automatically turn off after being idle. The Off setting means camera will remain working until you turn it off or the battery consumed.
Beep Sound	Off On	This parameter is for the beep sound that camera makes when the camera is in use.

Language	Chinese English	Choose the language you need showing in the menu.
Underwater	Off On	The camera itself is resistant against water and can be used underwater without an additional case. Please note do not use this camera underwater deeper than 3m. Deeper than 3m can damage the camera.
Focus Distance	Near Far	The focus of lens in camera can be adjusted. It has two options, "Far" and "near". Far means the lens' focus is farther than 1.5m. Near means the lens' focus is nearer than 0.3m.
Frequency	50Hz 60Hz	This camera can be customized to eliminate the screen flicker frequency. 50Hz is for areas using 50Hz frequency of AC. 60Hz is for areas using 60Hz frequency of AC.
Format	Cancel OK	Format the microSD card. All photos and videos already on the microSD card will be deleted. Please make sure to back up or save these photos before formatting if needed.
Default Setting	Cancel OK	Restore all custom settings to default values.
Version	BA-201 Version	Version information.

Please Note to press Shutter/OK button[] to save the selected options, and Power /Menu button[] to exit. Also do not use voice control function in a loud noisy environment.

Connections

There are three ways to view the photo or video files on external devices.

Using a Card Reader

1. Open the battery cover;
2. Eject the microSD card from the camera and insert into a card reader(not included);
3. Connect the card reader to a PC;
4. Open [My Computer] to find the disk of card reader;
5. Double-click the photo or video you want to view.

Using a USB Cable

1. Open the battery cover;
2. Connect the USB port to a PC using the supplied USB cable;
3. Turn on the camera;
4. Select [Mass Storage] showing on the camera screen;
4. Open [My Computer] to find the disk of card reader;
5. Double-click the photo or video you want to view.

Note there are two options when connected with the USB cable to a PC: “Mass Storage” and “PC camera”. It can be used as an external video equipment of PC when “PC camera” is selected.

Using a HDMI Cable

1. Open the battery cover;
2. Connect HDMI port of the camera to a HDTV with an

- HDMI cable(not included);
3. Turn on HDTV and switch to HDMI-mode;
 4. Turn on the camera;
 5. After connecting correctly, objects will be shown on the HDTV, you can record and playback photos or videos, do menu settings on the camera, but the screen will be replaced by the HDTV.

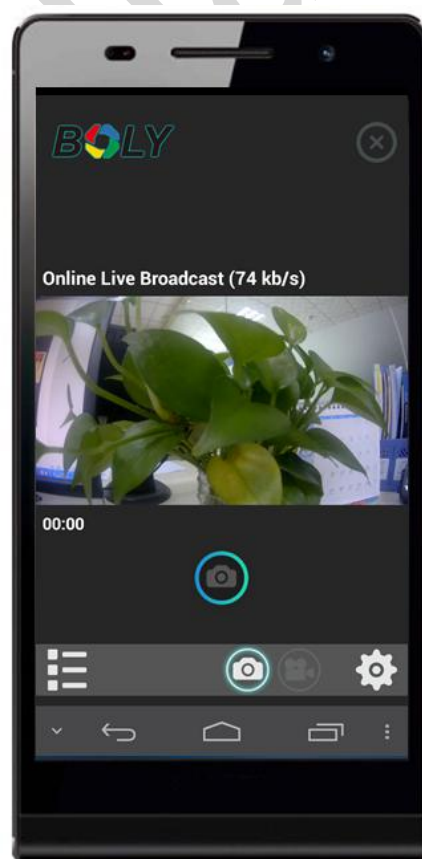
BOLY Media

WIFI Connecting

The BolyDV App lets you control your camera remotely using a smart phone or tablet PC. Features include full camera control, live preview, playback, item settings and downloading files.

Shortcut button: Long press **Down/WIFI switch/Mode** button [⏮] to turn on WIFI control.

1. Download the BolyDV App to your smart phone or tablet PC from the Apple store(IOS system or Google Play(Android system));
2. Install it on your smart phone or tablet PC;
3. Turn on the WIFI button on camera;
4. Search the WIFI signal on your smart phone or tablet PC, the default password is 12345678, then connect;
5. Open the APP, all operations can be done through the APP once WIFI is connected successfully to smart phone or tablet PC.



NOTE: WIFI name and password can be changed through the APP. It is recommended to do it when you are using a WIFI connection. Please remember to restart the camera after changing the WIFI name and password.



Mounting Accessories

In order to use the camera more convenient in an outdoor environment, Boly provides two kinds of mounting brackets: one is for mounting to a bike and the other is for mounting to a helmet. Install them as following steps.

1), Mounting to a bike



2), Mounting to a helmet



There is an adhesive tape included for you to connect the mounting bracket to a helmet.



WARNING: Please take caution when using the camera as part of your active lifestyle. Always be aware of your surroundings to avoid injury to yourself and others. Abide by all local laws when using this camera and related mounting accessories.

Specifications

Sensor	14MP
Operating modes	Photo mode/Video mode/Playback mode
Display screen	2" LCD
Lens	F=2.8 FOV=154°
Storage card	Up to 32GB
Photo resolution	30M 6400x4800 20M 5184x3888 14M 4320x3240 8M 3264x2448
Video resolution	4K/2K(Only for BA-202/ BA-102 optional) 1080FHD 1920x1080 720P 1280x720 360P 640x360
Microphone	Yes
Speaker	Yes
Battery	Li-on battery 3.7V 1000mAh
Waterproof depth	3 Meter
Dimension	68x50x30mm
Weight	109g
Operating Temp.	-10°C - 50°C
Storage Temp.	-20°C - 60°C
Security authentication	FCC, CE, RoHS

The United States and Canada

Boly Media Communications Inc.

Address: 3235 Kifer Rd., Suite260

Santa Clara, Ca95051, USA

Email: us_sales@bolymedia.com

Tel: 001-408-789-7811

Fax:001-844-272-4983

Europe and other areas

Boly Media Communications(Shenzhen)Co.,Ltd.

Address: 2F,Shanshui Building B, Yungu Innovation Industrial Park,No.1183,Liuxian

Blvd,Nanshan District, Shenzhen.Guangdong,China 518055

Email: sales@bolymedia.com

Tel: 0086-755-26805999

Fax: 0086-755-26817782

用户手册

BA-101/BA-102/BA-201/BA-202

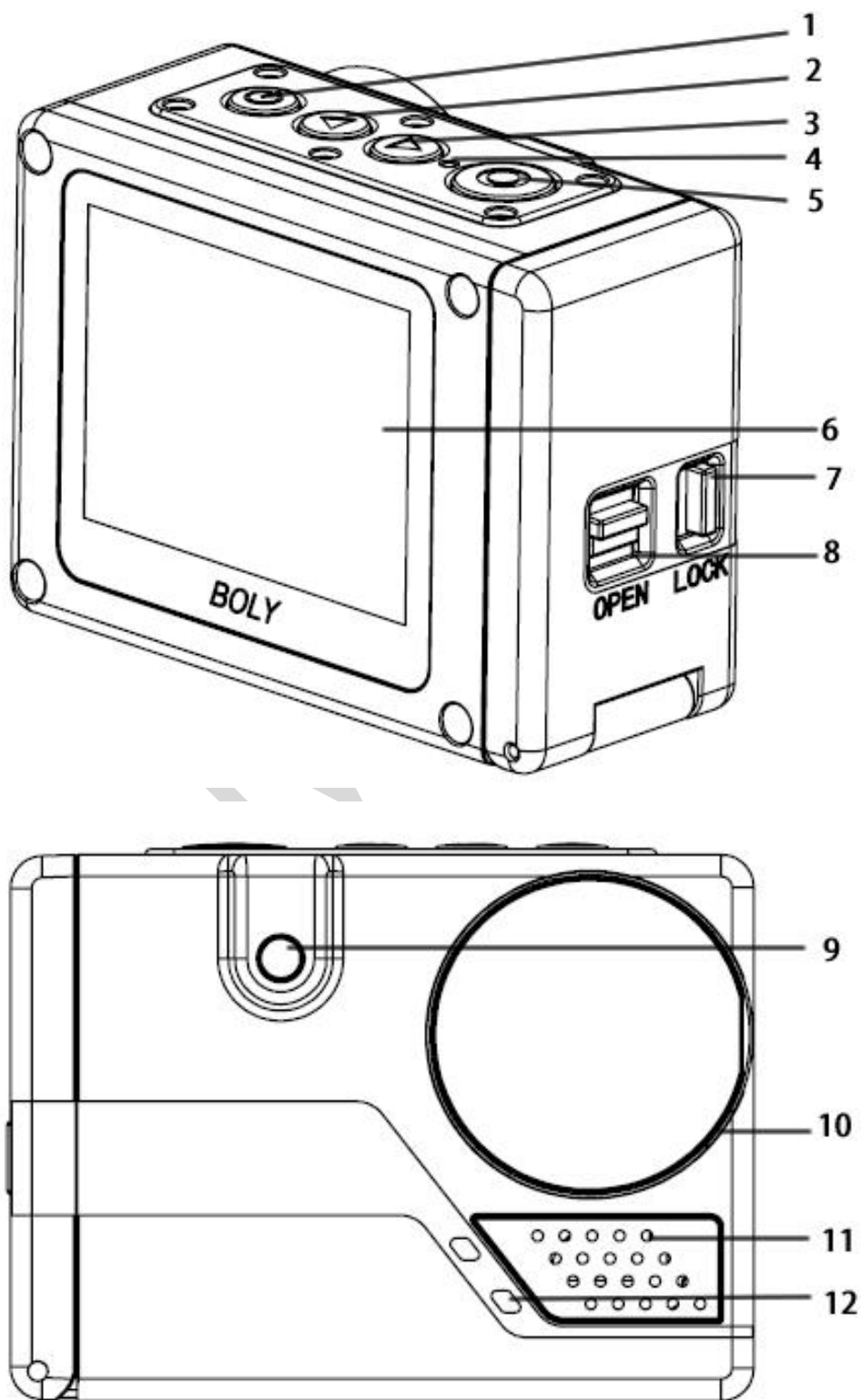
BOLY Media

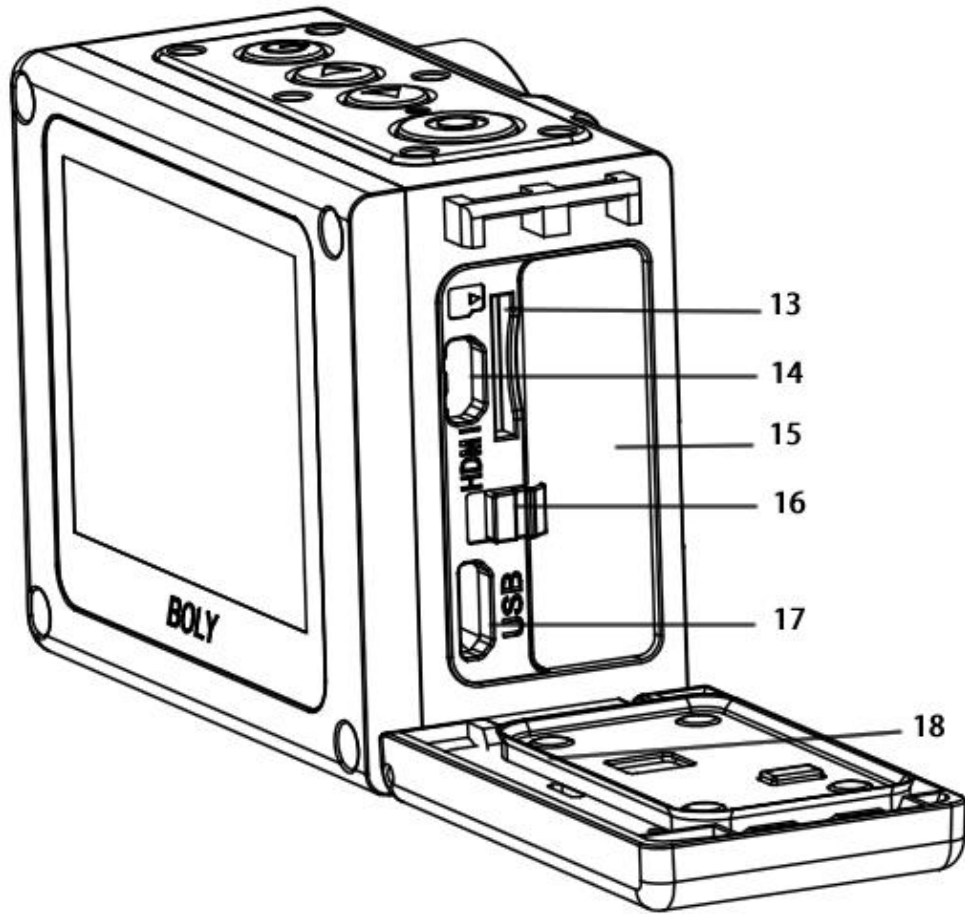


目录

外观显示.....	21
快速启动.....	23
电池充电.....	23
插入或移除 TF 卡.....	23
软件更新.....	23
开机关机.....	24
设置.....	25
模式.....	25
LCD 显示屏.....	25
项目设置.....	26
连接设备.....	31
连接读卡器.....	31
连接 USB 线.....	31
连接至 HDTV.....	31
WIFI 连接.....	32
配件安装.....	33
规格参数.....	34

外观显示





- | | |
|------------------|-------------|
| 1. 电源/菜单 | 10. 镜头 |
| 2. 向上/声控开关 | 11. 扩音孔 |
| 3. 向下/WIFI 开关/模式 | 12. 麦克风 |
| 4. 充电指示 | 13. TF 卡槽 |
| 5. 快门/确认 | 14. HDMI 端口 |
| 6. LCD 显示屏 | 15. 锂电池 |
| 7. 电池盖卡锁 | 16. 电池卡扣 |
| 8. 电池仓开关 | 17. USB 端口 |
| 9. 闪光 | 18. 橡胶圈 |

手册中的所有图片和插图均为解释说明所用，会与实际产品稍有不同。

产品特点: 与 BA-101/BA-102 不同, BA-201 和 BA-202 具有自动对焦功能。同时 BA-102/ BA-202 的视频分辨率可以选择为 4k/2k。

快速启动

电池充电

打开电池盖,使用 **USB** 线连接运动摄像机至电脑 **USB** 接口或其他充电器,充电指示灯点亮。

运动摄像机内置可充电锂电池可在电量未满的状态下使用,不会对机器本身造成损坏。

提示:此运动摄像机只适用于标记有输出为 **5V 1A** 的充电器。在未知充电器输出电压电流的情况下,建议使用配备的 **USB** 线连接至电脑充电。

插入或移除 TF 卡

根据指示图标,正确插入TF卡,然后开机。运动摄像机本身无存储空间,若无TF卡插入则运动摄像机无法正常工作。

移除TF卡,用手指抵住卡的边缘轻轻按压进去,TF卡则会自动弹出。

注意此运动摄像机兼容**4GB**到**32GB**容量的TF卡(不含在包装中)。为了在剧烈运动中获取最佳性能,**Boly**建议使用知名品牌所售TF卡。使用中避免液体,灰尘和碎片等接触到TF卡。插入或移除TF卡之前,请关闭运动摄像机。

软件更新

若希望您的运动摄像机获得最新功能并发挥最佳效能,请确保您使用的摄像机软件为最新版本。

此运动摄像机支持通过 **TF** 卡更新软件。注意频繁地更新软件可能会对运动摄像机的功能有所影响。

开机关机

开机：

长按电源 / 菜单键 [Ⓜ], LCD显示屏点亮, 播放一段“BolyAcam”的开机动画, 部分系统信息将会显示在屏幕上。

关机：

长按电源 / 菜单键 [Ⓜ], 播放一段“BolyAcam”关机动画, LCD显示屏关闭。

BolyMedia

设置

模式

运动摄像机支持三种模式：录像模式，拍照模式和回放模式。在预览状态下反复按向下/WIFI 开关/模式键 [⏪] 可实现模式的切换。不同的模式有不同的参数设置。

录像模式：按下快门 / 确认键 [⏹]，运动摄像机会根据您的自定义设置拍摄视频，再按一下停止拍摄。录像模式为系统默认模式。

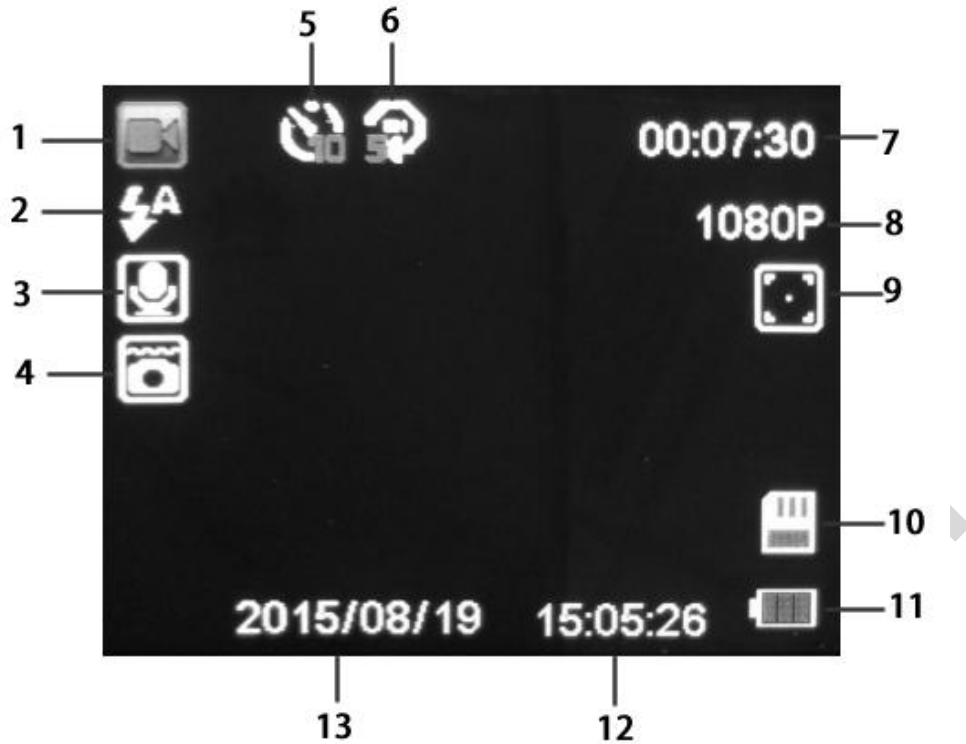
拍照模式：按下快门 / 确认键 [⏹]，运动摄像机会根据您的自定义设置拍摄照片。

回放模式：重复按下向下/WIFI 开关/模式键 [⏪] 进入回放模式，可以回放运动摄像机拍下的照片或视频。向上/声控开关键 [⏩] 翻看之前的照片或视频。快门 / 确认键 [⏹] 用于播放视频片段。

在回放模式下，按电源 / 菜单键 [⏻] 可以删除或保护照片和视频不被删除。若图片或视频被保护，则会有一个钥匙的标志出现在图片或视频上方。

LCD 显示屏

为方便客户设置各项参数，运动摄像机配备有 2" LCD 显示屏。熟悉显示屏部分对阅读本手册的后续部分会有帮助。



- | | |
|------------|----------|
| 1. 模式 | 8. 分辨率 |
| 2. 闪光灯 | 9. 对焦标识 |
| 3. 声控标识 | 10. TF 卡 |
| 4. 水下模式 | 11. 电池 |
| 5. 抓拍延时 | 12. 时间 |
| 6. 循环拍摄/连拍 | 13. 日期 |
| 7. 剩余空间 | |


项目设置


在熟悉了基本操作后，可以进一步地设置各项功能性参数。系统项目和参数在本章节会有一个详细的介绍。

项目设置分为两类：模式参数和系统参数。

模式参数设置：

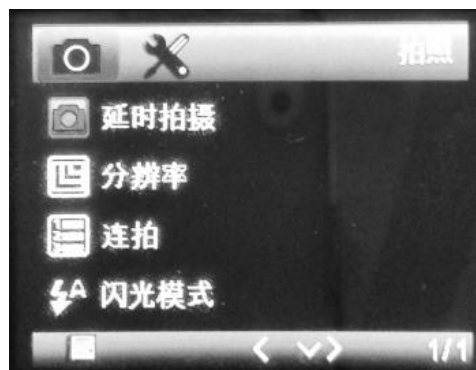
- e. 在预览状态下短按电源 / 菜单键 [⊙] 进入菜单选项；
- f. 短按向上 / 声控开关键[◀] 或向下 / WIFI 开关 / 模式键[▶] 点选菜单；
- g. 按快门 / 确认键[⊙] 扩展子菜单，自定义选择合适的

选项，按快门 / 确认键[]保存；

h. 短按电源 / 菜单键 []退出选项；



录像模式



拍照模式

模式	菜单	选项	描述
录像模式	延时拍摄	立即拍摄 2 秒 延时 5 秒 延时 10 秒 延时	此参数定义了按下快门键后运动摄像机开始拍摄视频前的延迟时间。立即拍摄则无延时。
	分辨率	4K/2K (BA-202) 1080FHD 720P 360P	选择合适的视频分辨率。高分辨率将会占用更多的内存空间。其中 4K/2K 只适用于 BA-202 可选择。
	分段录像时长	关闭 3 分钟 5 分钟 10 分钟	此参数定义了循环拍摄时每段视频的时间长度。关闭表示持续录像无中断。
	闪光模式	自动 关闭 打开	运动摄像机本身带有一个高亮度闪光灯补光。当设置为打开时，录制视频时，闪光灯会自动开启。设置为关闭时，闪光灯关闭。设置为自动时，运动摄像机会根据外界光线自动调整闪光灯的开启与关闭。
	延时拍摄	立即拍摄 2 秒延时 5 秒延时 10 秒延时 30M	此参数定义了按下快门键后运动摄像机开始拍摄照片前的延迟时间。立即拍摄则无延时。

拍照模式	分辨率	20M 14M 8M	选择合适的图片分辨率。高分辨率将会占用更多的内存空间。
	连拍	单拍 3 连拍 5 连拍 10 连拍	此参数定义了拍摄照片时的连拍张数。
	闪光模式	自动 关闭 打开	运动摄像机本身带有一个高亮度闪光灯补光。当设置为打开，拍摄照片时，闪光灯会自动开启。设置为关闭时，闪光灯关闭。设置为自动时，运动摄像机会根据外界光线自动调整闪光灯的开启与关闭。

系统参数	选项	描述
WIFI	关闭 打开	此运动摄像机内置有 WIFI 模块，方便实现 APP 对运动摄像机的远程操作，也使得在运动摄像机和手机或平板电脑之间传输文件更为便捷。
时间设置	年/月/日 时/分/秒	调整日期时间，如每次开机后。日期格式可以调整为：月/日/年，日/月/年或年/月/日。
语音指令学习	拍照 录像 结束录像 语音指令测试	运动摄像机内置有声控传感器使得此运动摄像机可以通过语音来控制。步骤如下： 1. 进入“语音指令学习”子菜单； 2. 选中“拍照”； 3. 在屏幕上出现提示后，请对着运动摄像机大声说“拍照”，根据屏幕提示重复一次。录制成功后屏幕会提示“语音学习成功”，同时子菜单前方会出现★作为标记；

		<p>4. 同上，分别录制“录像”，“停止录像”的语音指令；</p> <p>5. 完成上述“语音指令学习”后，请进入“语音指令测试”子菜单，依次重复上述三条语音指令，运动摄像机识别后会在屏幕上显示出对应的语音指令，则测试完成。</p>
语音控制	关闭 打开	<p>打开或关闭语音控制功能。</p> <p>快捷键：预览状态下长按向上 / 声控开关键[⏪]。</p>
自动关机	关闭 3 分钟 5 分钟 10 分钟	<p>运动摄像机可以自定义设置在待机状态下定时关机。Off 是指关闭此功能，运动摄像机会持续工作直至手动关机或电池电量不足。</p>
按键音	关闭 打开	<p>选择开启或关闭按键音。</p>
语言设置	中文 英文	<p>选择合适的菜单语言。</p>
水下模式	关闭 打开	<p>运动摄像机机身有防水功能，水下模式无需防水保护壳。防水深度为 3 米。建议不要在深于 3 米的水下区域使用，否则可能造成机身漏水而损坏设备。</p> <p>水下模式运动摄像机会自动打开 LED 补光灯，视频无声音。</p>
对焦距离	近焦 远焦	<p>运动摄像机能实现对镜头焦距的调整：远焦和近焦。远焦指 1.5 米以外，近焦指 0.3 米以内。</p>
光源频率	50Hz 60Hz	<p>运动摄像机具有消除外界光源引起的屏幕闪动的功能，使得拍摄的照片或视频更加清晰流畅。50Hz 适用于交</p>

		流电频率为 50Hz 的场合；60Hz 适用于交流电频率为 60Hz 的场合。
格式化	取消 确认	格式化 TF 卡。格式化之后所有的文件将会被删除，请注意备份重要的文件。
默认设置	取消 确认	恢复所有设置成默认设置。
版本	BA-201 软件版本	版本信息。

请注意选定参数后按快门 / 确认键[⊙]保存参数，按电源 / 菜单键[⊙] 退出。 请不要在嘈杂的环境中使用语音控制功能。

连接设备

摄像机支持三种方式通过外部设备查看照片和视频。

连接读卡器

1. 打开电池盖；
2. 从运动摄像机中弹出 TF 卡，插入到读卡器中（不含在包装中）；
3. 连接读卡器到电脑；
4. 打开我的电脑；
5. 双击选择要查看的照片或视频。

连接 USB 线

1. 打开电池盖；
2. 通过提供的 USB 线连接运动摄像机到电脑；
3. 打开运动摄像机电源；
4. 选择显示屏上弹出的【存储】选项；
5. 打开我的电脑；
6. 双击选择要查看的照片或视频；

注意连接 USB 线至电脑时会弹出两个选项：“存储”和“PC 摄像机”。当选择“PC 摄像机”后，运动摄像机可作为 PC 机的外接摄像机。

连接至 HDTV

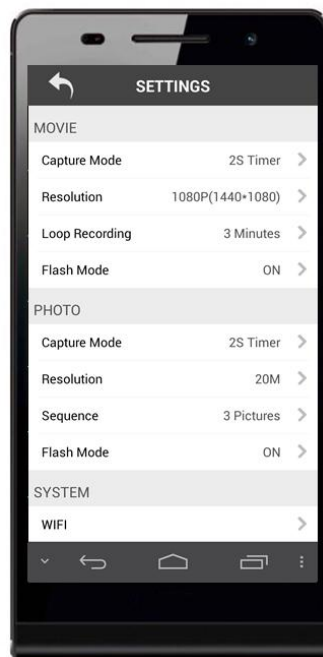
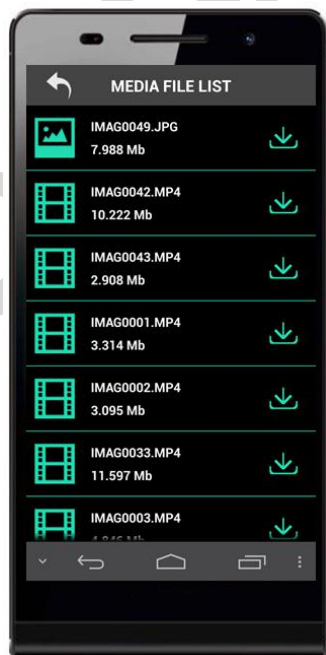
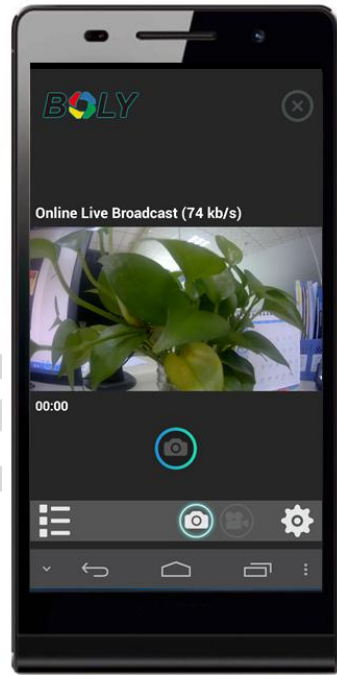
1. 打开电池盖；
2. 通过 HDMI 线（不含在包装中）连接至 HDTV；
3. 打开 HDTV，选择 HDMI 模式；
4. 打开运动摄像机电源；
5. 连接成功后，通过 HDTV 可对运动摄像机进行拍照，录像，回放等操作。

WIFI 连接

Boly 自主研发的 BolyDV APP 能实现手机或平板电脑对运动摄像机的操控：实时预览，回放，参数设置，下载文件等。快捷键：长按向下 / WIFI 开关 / 模式键开启 WIFI 控制。

1. 从 Google Play (Android 系统) 或 Apple store (IOS 系统) 下载 BolyDV APP 到手机或平板电脑并安装；
2. 开启运动摄像机的 WIFI 控制；
3. 在手机或平板上搜索 WIFI 信号，默认密码是 12345678，点击连接；
4. 打开 APP，连接成功后，即可通过 APP 对运动摄像机执行操作。

WIFI 名字密码可通过 APP 修改。建议初次使用时即修改 WIFI 名字与密码。重启后生效。



配件安装

Boly 提供两种安装支架以方便用户在户外运动时使用：
车载支架和头盔支架。安装方法见下图：

1),车载支架



2),头盔支架



头盔支架组装完成时，请使用 3M 双面胶黏贴支架和头盔。

提示：乐享运动时请注意安全，时刻注意周围的环境，避免伤到自己。使用运动摄像机及安装支架时请遵守当地法律法规。

规格参数

图像传感器	14MP
操作模式	拍照模式/录像模式/回放模式
显示屏	2" LCD
镜头	F=2.8 FOV=154°
存储卡	32GB
图像分辨率	30M 6400x4800 20M 5184x3888 14M 4320x3240 8M 3264x2448
视频分辨率	4K/2K(BA-102/ BA-202 可选择) 1080FHD 1920x1080 720P 1280x720 360P 640x360
音频孔	是
扬声器	是
电池	锂电池 3.7V 1000mAh
防水深度	3 米
尺寸	68x50x30mm
重量	109g
操作温度	-10℃ - 50℃
存储温度	-20℃ - 60℃
安全认证	FCC, CE, RoHS

The United States and Canada
Boly Media Communications Inc.
Address: 3235 Kifer Rd., Suite260
Santa Clara, Ca95051, USA
Email: us_sales@bolymedia.com
Tel: 001-400-789-7811
Fax:001-844-272-4983

Europe and other areas

博立码杰通讯（深圳）有限公司
地址：广东省深圳市南山区留仙大道 1183 号南山云谷创新产业园山水楼 B 座 2 楼
邮箱: sales@bolymedia.com
电话: 0086-755-26805999
传真: 0086-755-26817782